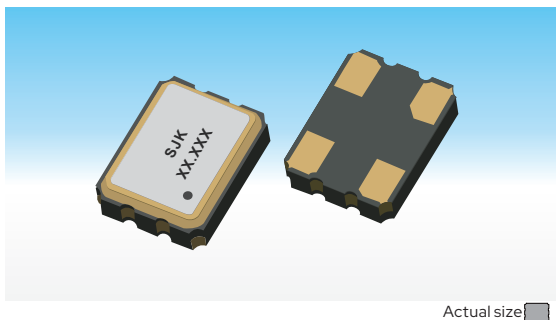


# Spread Spectrum Crystal Oscillator

3Z Series SMD3225 EMI Reduction Crystal Oscillator 16~40MHz O: CMOS Size: 3.2×2.5×1.0mm



## Features

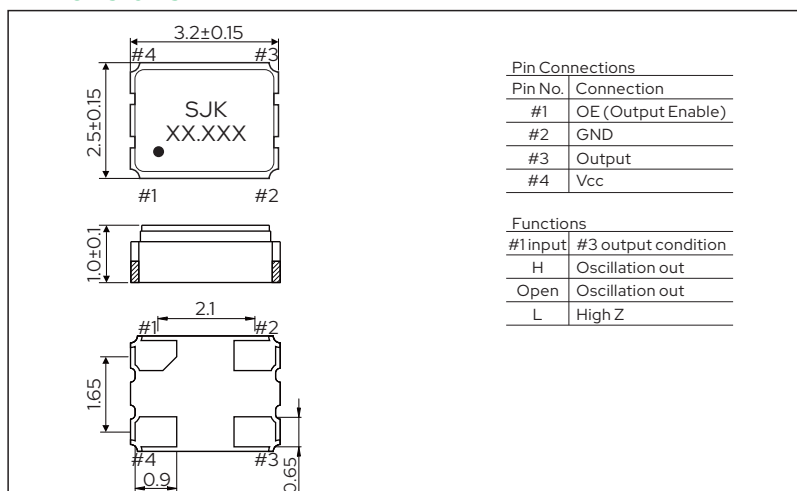
- SMD3225 EMI reduction spread spectrum clock oscillator
- Reduce electromagnetic interference (EMI) by approx. 3dB to 12dB
- 3-state function available
- Supply voltage: 1.8V /2.5V /3.3V
- CMOS output with frequency range: 16MHz~40MHz
- Application for Media player, Surveillance, Medical equipment, IP camera, LED module, etc.
- RoHS Compliant /Pb Free



## Standard Specifications

Item		Type	3Z Series SMD3225 EMI Reduction Spread Spectrum Clock Oscillator			
Output Type			CMOS			
Load condition			15pF, or specify			
Frequency Range			16MHz~40MHz			
Supply Voltage			1.8V /2.5V /3.3V			
Frequency Stability (All Condition)			±25ppm, ±30ppm, ±50ppm, ±100ppm, or specify			
Current Consumption			6mA max.			
Stand-by Current			1.2mA max.			
Spread Type	Down Spread		-2.00%	-1.50%	-1.00%	-0.80%
	Center Spread		±1.00%	±0.75%	±0.50%	±0.40%
EMI Reduction			3dB~12dB(Typ.) for the main mode			
Modulation Carrier Frequency			20KHz~52KHz			
Symmetry			40~60%			
0 Level Output Voltage (V <sub>OL</sub> )			0.1V <sub>cc</sub> max.			
1 Level Output Voltage (V <sub>OH</sub> )			0.9V <sub>cc</sub> min.			
OE Pin 0 Level Input Voltage (V <sub>IL</sub> )			0.3V <sub>cc</sub> max.			
OE Pin 1 Level Input Voltage (V <sub>IH</sub> )			0.7V <sub>cc</sub> min.			
Rise Time / Fall Time			10ns max.			
Start-up Time			5ms max.			
Operating Temperature Range			-20~+70°C, -40~+55°C, or specify			

## Dimensions



## Recommended Land Pattern [mm]

